



**Elegant Furniture And Lighting Inc.**

**USER GUIDE – LED LIGHTED MIRROR**

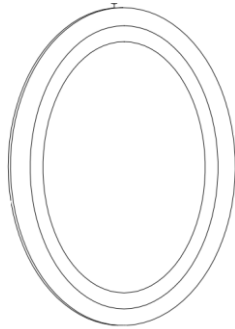


IF IN DOUBT ABOUT FITTING THIS PRODUCT, PLEASE CONSULT A QUALIFIED ELECTRICIAN

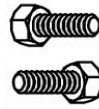
## **IMPORTANT**

PLEASE READ THE INSTRUCTIONS BEFORE SET UP AND INSTALLATION

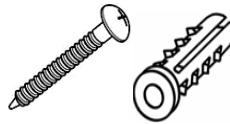
### COMPONENT PARTS AND FITTINGS



**Mirror x1**  
(Including Base)



**Bolts x 4**  
(Included in pack)



**Screw & Wall Plug x 4**  
(Included in pack)

#### **Suggested Tools:**



**Screw driver**



**Drill**

## **Safety Warning**

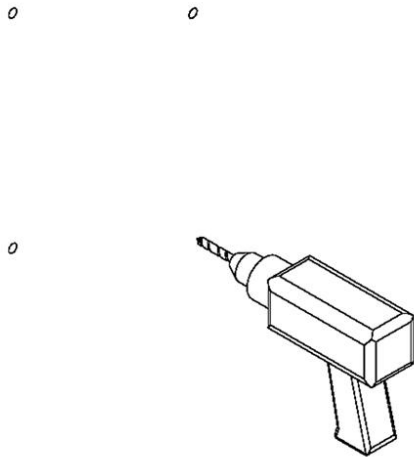
### **Safety:**

- We suggest you spend a short time reading the instruction leaflet.
- Carefully check that you have all the parts before beginning assembly.
- Keep small parts and fittings out of children's reach and keep children well away from construction area, as the unassembled product contains small parts, which could present a choking hazard.
- We suggest you retain these instructions for future reference.
- This appliance can be used by adults ONLY.
- If the supply cord is damaged, it must be replaced by the manufacturer, its service agent or similarly qualified persons in order to avoid a hazard.

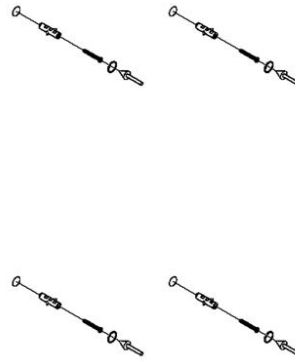
### **Caution:**

- In order to avoid overheating, do not cover the mirror.
- Switch off the mains supply and remove the appropriate fuse or switch off the appropriate circuit breaker before commencing installation
- Make sure that there is no danger that the cord or extension cord is inadvertently be pulled or cause anyone to trip when in use.
- Note that this is a hardwired installation and does not come with a power switch. Your electrician must install the is hardwired mirror to an electrical junction box to connect to a room light switch to turn off or turn on the mirror.

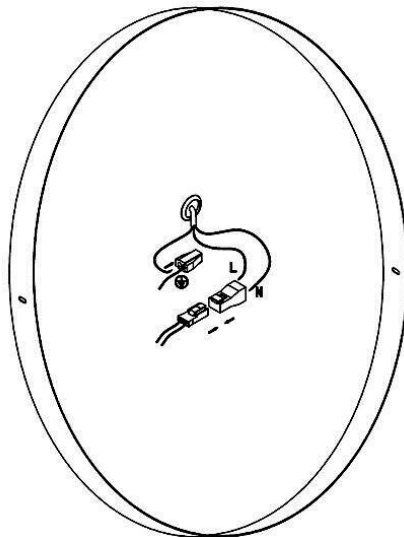
# Assembly/User Instruction



**STEP1.** Mark the position of the hanging screw.

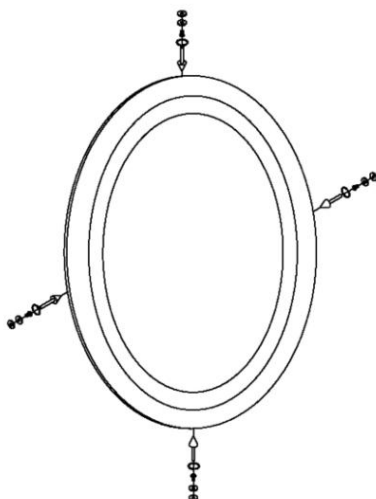


**STEP2.** Fix the screw.

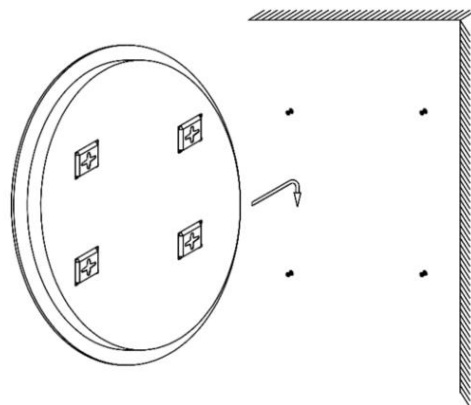


**STEP3.** make sure to bring MC cable in through the wall and into the chassis knockout. Insert ground wire in the grounded connector. Insert power and neutral wires into the luminaire disconnect. The power wire is inserted into the black port (**L**) and the neutral wire is inserted into the white port (**N**).

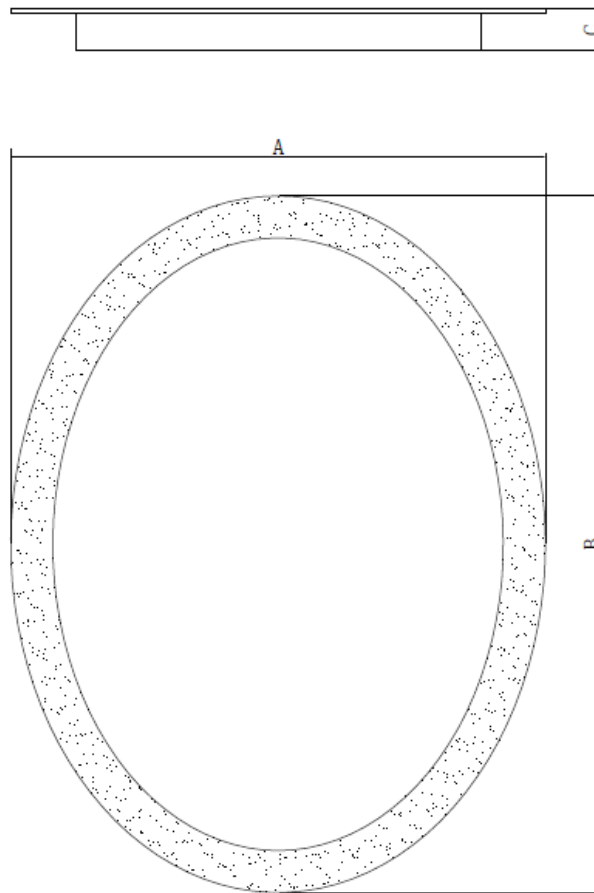
**STEP4.** Place mirror onto back plate, secure with 4 screws on sides



**STEP5.** Hang up the mirror on the wall.



## Installation Dimensions:



MODEL	A(inch)	B(inch)	C(inch)
MRE-6005/ MRE-6015	30	30	1.58
MRE-6006/ MRE-6016	36	36	1.58
MRE-6007/ MRE-6017	42	42	1.58
MRE-6008/ MRE-6018	21	28	1.58
MRE-6009/ MRE-6019	23	30	1.58

